



AXM SERIES

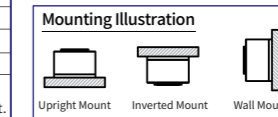
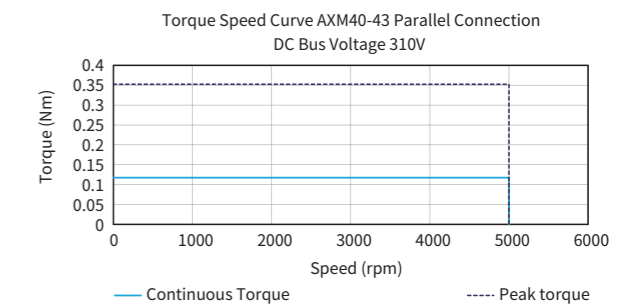
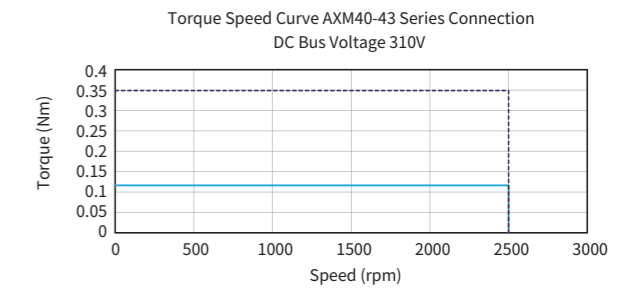
- ▶ Direct drive and brushless motor
- ▶ Fully integrated with encoder and bearing
- ▶ Low cogging torque
- ▶ Optional for low speed and high speed windings
- ▶ High torque density
- ▶ Built-in high precision grating scale

AXM40-43

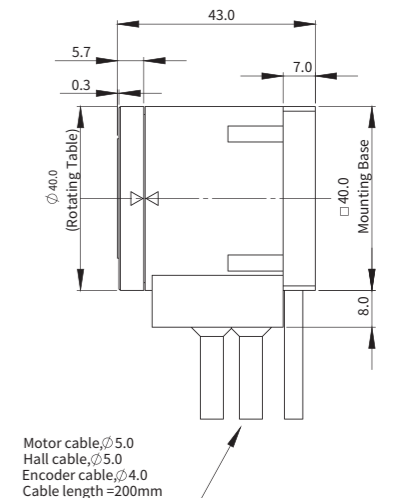
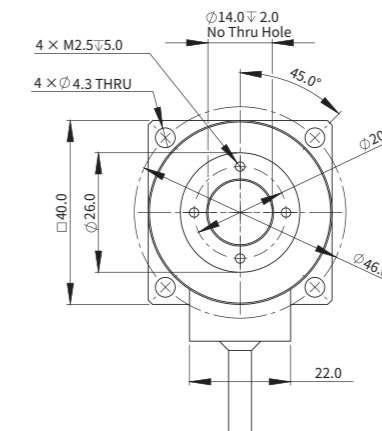
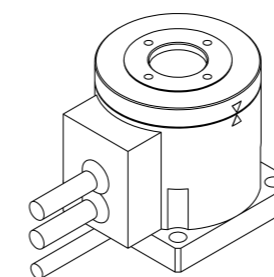
AXM40-43				
Performance Parameters	Symbol	Unit	Series	Parallel
Continuous Torque (NC) @100°C	T _{cn}	Nm	0.11	0.11
Peak Torque	T _{pk}	Nm	0.30	0.30
Torque Constant ±10%	K _t	Nm/Arms	0.09	0.05
Back EMF Constant ±10%	K _e	Vpeak/rpm	0.008	0.004
Motor Constant @25°C	K _m	Nm/Sqrt(W)	0.03	0.03
Resistance (L-L) @25°C ±10%	R ₂₅	Ω	8.4	2.1
Inductance (L-L) ±20%	L	mH	6.8	1.7
Electrical Time Constant	τ _e	ms	0.8	0.8
Continuous Current (NC) @100°C	I _{cn}	Arms	1.2	2.4
Peak Current	I _{pk}	Arms	4.9	9.8
Continuous Power Dissipation (NC) @100°C	P _{cn}	W	24.3	24.3
Max. Coil Temperature	t _{max}	°C	100	100
Thermal Dissipation Constant (NC)	K _{thn}	W/°C	0.32	0.32
Max. Bus Voltage	U _{bus}	Vdc	330	330
Pole Number	2P	-	10	10
Max Speed	Ω _{max}	rpm	2500	5000
Mechanical Parameters				
Overall Mass (NC)	m _n	kg	0.24	0.24
Rotor Inertia	J _r	kg·m ²	1.18E-05	1.18E-05
Axial Runout	-	μm	25	25
Radial Runout	-	μm	25	25
Max Axial Load (Upright Mounting)	-	N	20	20
Max Axial Load (Inverted / Wall Mounting)	-	N	6	6
Max Moment Load (Upright Mounting)	-	Nm	0.3	0.3
Max Moment Load (Inverted / Wall Mounting)	-	Nm	0.1	0.1
Encoder Parameters				
ABI Optical Incremental Encoder (SIN/COS)	-	lines / rev	650	650
ABI Optical Incremental Encoder (80x)	-	counts / rev	52000	52000
ABI Optical Incremental Encoder (160x)	-	counts / rev	104000	104000
ABI Optical Incremental Encoder (400x)	-	counts / rev	260000	260000
Accuracy after Error Mapping	-	arc sec	+/-20	+/-20
Repeatability	-	arc sec	+/-10	+/-10
Other Information				
Insulation Class	Class A (105°C)			
Protection Grade	IP40			
Compliance with Global Standards	Chinese RoHS, CE			
Ambient Temperature	Operation	0°C to 40°C (non-freezing)		
	Storage	-15°C to 70°C (non-freezing)		
Ambient Humidity	Operation	10%RH to 80%RH (non-condensing)		
	Storage	10%RH to 90%RH (non-condensing)		
Recommended Ambience	Indoor (no direct sunlight); No corrosive gas, inflammable gas, oil mist or dust.			

- ① Measurement is taken at ambient temperature 25°C. Value depends on the thermal environment.
 - ② Resistance is measured by DC current with standard 0.2 m cable.
 - ③ Inductance is measured by current frequency of 1 kHz.
 - ④ The value is based on ABI optical SIN/COS encoder (4096x interpolation) under max. bus voltage.
 - ⑤ The runout value in parenthesis is optional.
 - ⑥ Please refer to the illustration for different mountings.
 - ⑦ Based on ABI optical SIN/COS encoder (4096x interpolation) with standard runout.
- The contents of datasheet are subjected to change without prior notice.

Torque-Speed Curve



Dimension



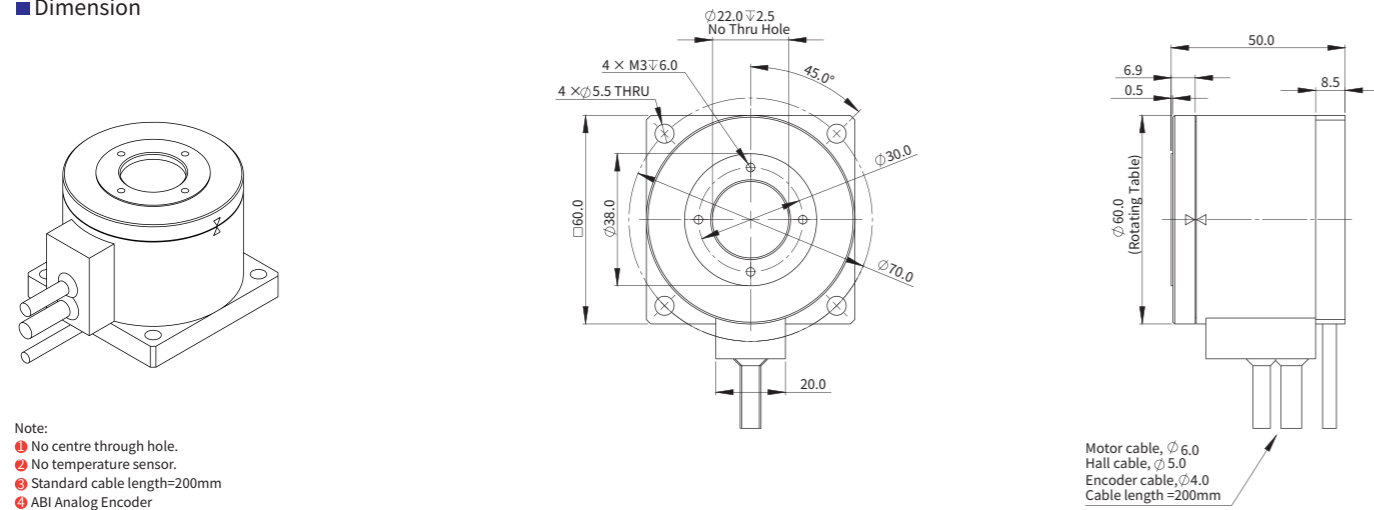
- Note:
- ① No centre through hole.
 - ② No temperature sensor.
 - ③ Standard cable length=200mm
 - ④ ABI Analog Encoder

AXM60-50

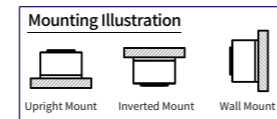
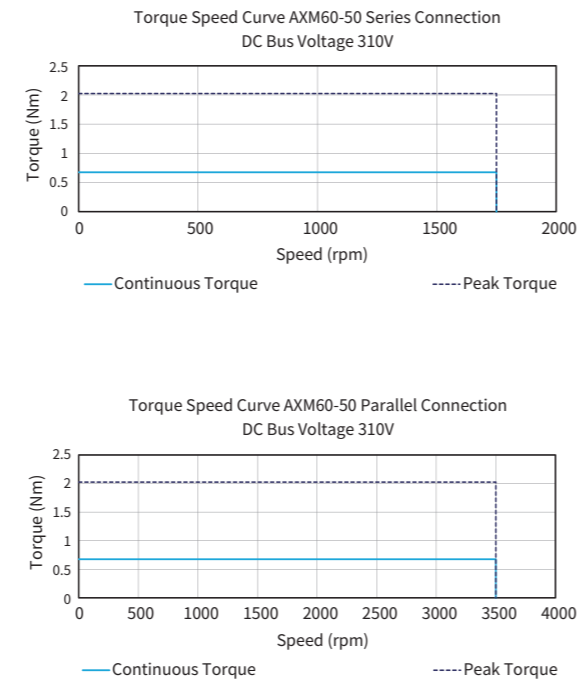
AXM60-50					
Performance Parameters		Symbol	Unit	Series	Parallel
Continuous Torque (NC) @100°C		T _{cn}	Nm	0.71	0.71
Peak Torque		T _{pk}	Nm	2.00	2.00
Torque Constant ±10%		K _t	Nm/Arms	0.47	0.24
Back EMF Constant ±10%		K _e	Vpeak/rpm	0.040	0.020
Motor Constant @25°C		K _m	Nm/Sqrt(W)	0.11	0.11
Resistance (L-L) @25°C ±10%		R ₂₅	Ω	12.8	3.2
Inductance (L-L) ±20%		L	mH	28	7
Electrical Time Constant		τ _e	ms	2.2	2.2
Continuous Current (NC) @100°C		I _{cn}	Arms	1.5	3.0
Peak Current		I _{pk}	Arms	6.0	12.0
Continuous Power Dissipation (NC) @100°C		P _{cn}	W	55.9	55.9
Max. Coil Temperature		t _{max}	°C	100	100
Thermal Dissipation Constant (NC)		K _{thn}	W/°C	0.75	0.75
Max. Bus Voltage		U _{bus}	Vdc	330	330
Pole Number		2P	-	10	10
Max Speed		Ω _{max}	rpm	1750	3500
Mechanical Parameters					
Overall Mass (NC)		m _n	kg	0.64	0.64
Rotor Inertia		J _r	kg·m ²	7.38E-05	7.38E-05
Axial Runout		-	μm	25	25
Radial Runout		-	μm	25	25
Max Axial Load (Upright Mounting)		-	N	50	50
Max Axial Load (Inverted / Wall Mounting)		-	N	15	15
Max Moment Load (Upright Mounting)		-	Nm	0.7	0.7
Max Moment Load (Inverted / Wall Mounting)		-	Nm	0.2	0.2
Encoder Parameters					
ABI Optical Incremental Encoder (SIN/COS)		-	lines / rev	650	650
ABI Optical Incremental Encoder (80x)		-	counts / rev	52000	52000
ABI Optical Incremental Encoder (160x)		-	counts / rev	104000	104000
ABI Optical Incremental Encoder (400x)		-	counts / rev	260000	260000
Accuracy after Error Mapping		-	arc sec	+/-20	+/-20
Repeatability		-	arc sec	+/-10	+/-10
Other Information					
Insulation Class		Class A (105°C)			
Protection Grade		IP40			
Compliance with Global Standards		Chinese RoHS, CE			
Ambient Temperature		Operation	0°C to 40°C (non-freezing)		
		Storage	-15°C to 70°C (non-freezing)		
Ambient Humidity		Operation	10%RH to 80%RH (non-condensing)		
		Storage	10%RH to 90%RH (non-condensing)		
Recommended Ambience		Indoor (no direct sunlight); No corrosive gas, inflammable gas, oil mist or dust.			

- Measurement is taken at ambient temperature 25°C. Value depends on the thermal environment.
 - Resistance is measured by DC current with standard 0.2 m cable.
 - Inductance is measured by current frequency of 1 kHz.
 - The value is based on ABI optical SIN/COS encoder (4096x interpolation) under max. bus voltage.
 - The runout value in parenthesis is optional.
 - Please refer to the illustration for different mountings.
 - Based on ABI optical SIN/COS encoder (4096x interpolation) with standard runout.
- The contents of datasheet are subjected to change without prior notice.

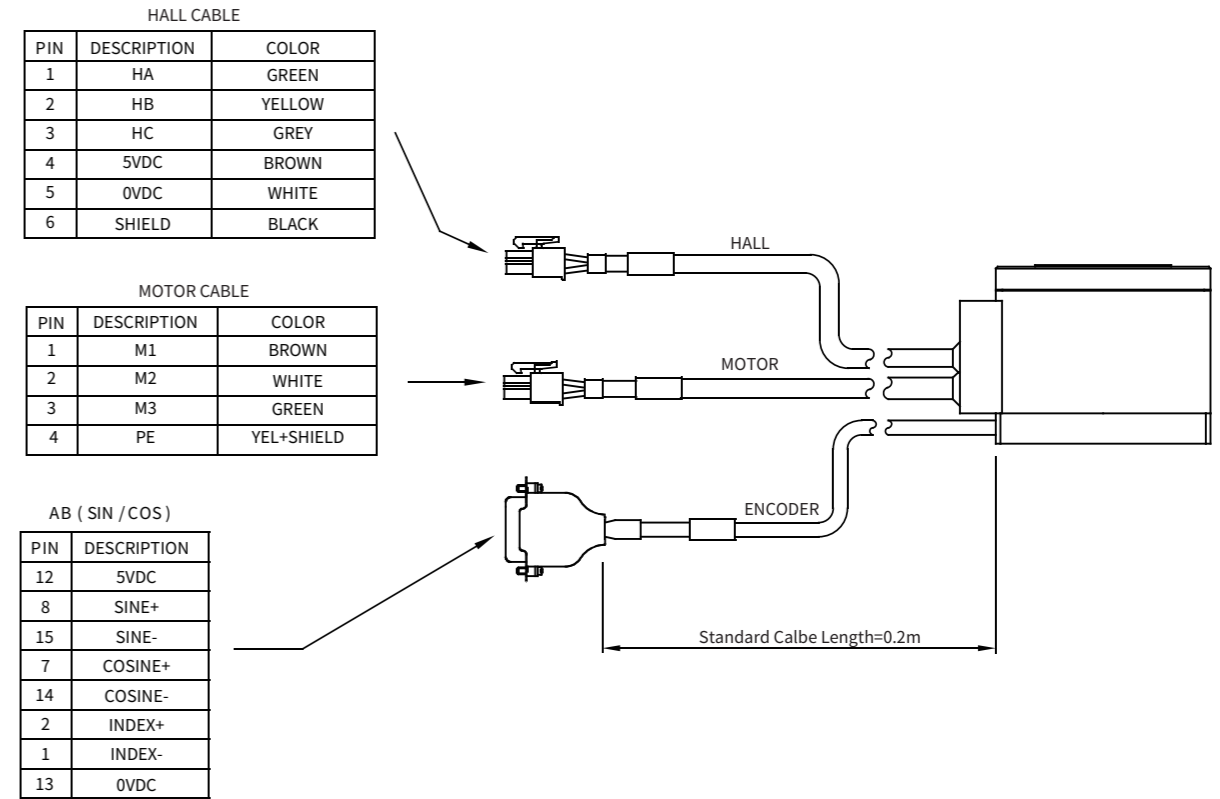
Dimension



Torque-Speed Curve



Motor Cable Connection



Part Numbering

